

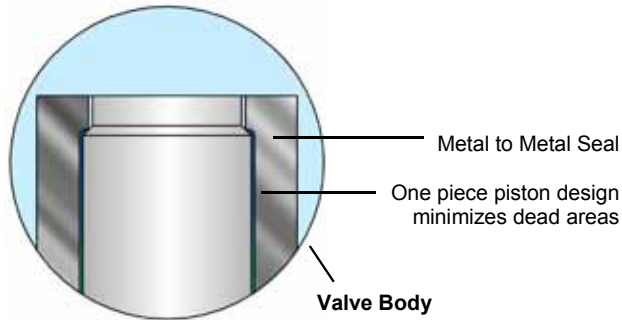
**MS Series**

**METAL SEATED SAMPLING VALVES**



## SEALING SYSTEM

**M Seal-** This sealing system offers a wide range of material combinations selected to create a differential hardness between body and plunger seat. The maintenance friendly design of the **M Seal** system provides long & reliable valve performance and is suitable for almost all process conditions.



### Temperature

Min: -200° C / -330° F  
Max: 540° C / 1000° F

### Pressure

ANSI 600: 100 bar/1440 psi max  
ANSI 1500: 250 bar/3600 psi max

In order to keep abreast of customer requirements, Strahman has developed a Metal Seated Sampling Valve for use in ANSI Class 600 1000°F applications. This valve is dimensionally identical to the Strahman SV Series of Sampling Valves which are the world-wide standard for industrial sampling. A special fabricated bar-stock design is available for ANSI 1500, 1000°F service.

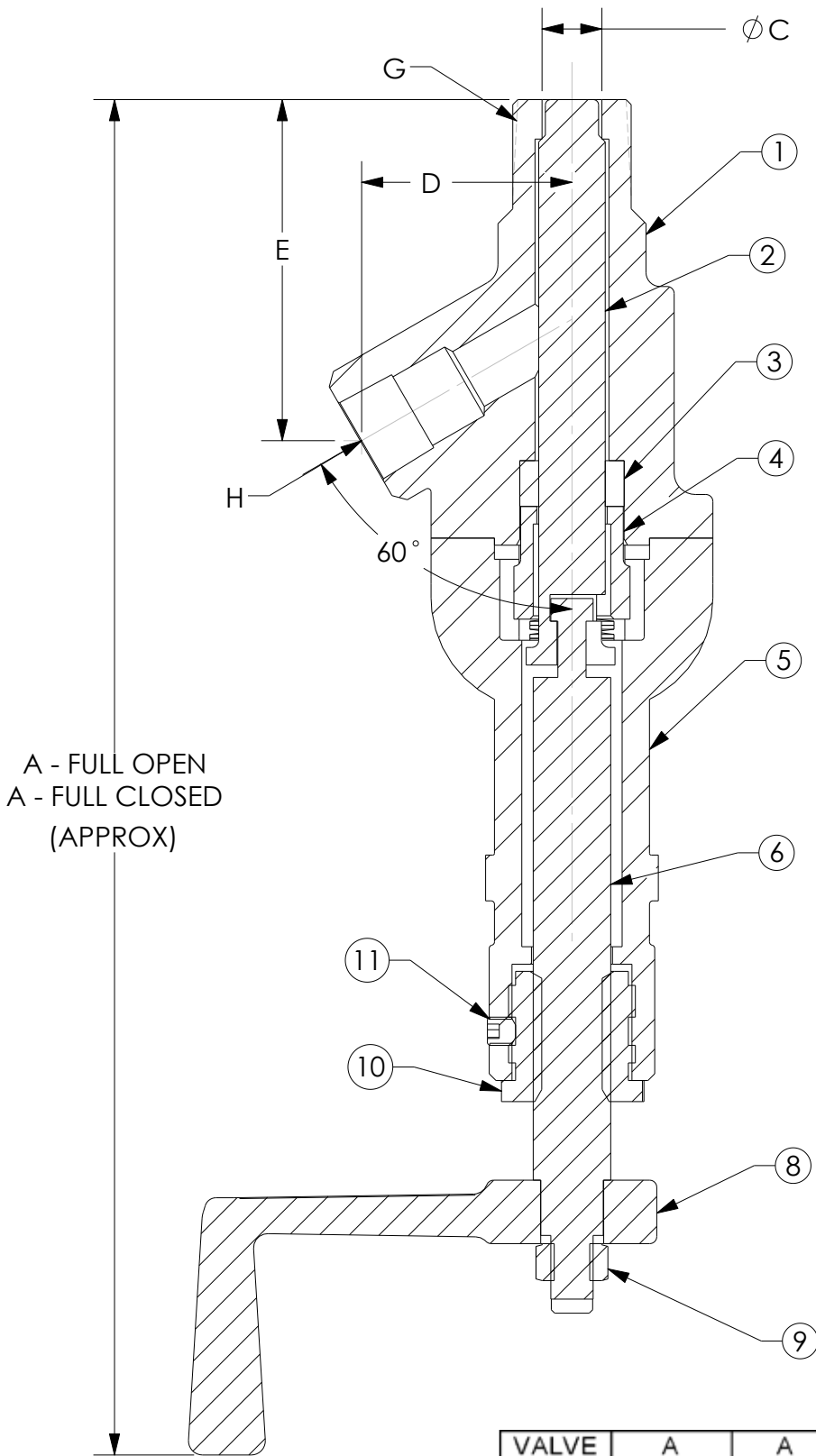
- Piston moves through the valve clearing out any material that may solidify within the body.
- Piston extension breaks through scale or crust.
- No dead spot - piston fill valve interior.
- Always gives true live sample.
- 316 stainless steel body is standard. Also available; Alloy 20, Hastelloy, Titanium, Nickel and Monel.
- Threaded, flanged, SW ends to US Standards, DIN, BSP, JIS with manual, electric, air actuation.
- Lever-operated, Kwik-opening design available.

### **Metal Seal Sampling Valve Specifications:**

The Sampling Valve shall be Model SV 3/4" MNPT inlet\* by 3/4" or 1/2" FNPT outlet\*. The body shall be of investment case 316 SST and internals of 316 SST fabricated wetted parts. The valve shall be a hard seal design and shall meet ANSI Class IV shutoff. The piston shall have linear travel with multi-turn handle for manual operations, or pneumatic/hydraulic cylinder actuator. The piston shall fill the valve interior allowing for no cavities (dead space), with be self-pigging, and will not clog. The Sampling Valve will assure new product samples are always take with no prior material remaining. The piston shall have a \_\_\_\_\_"extension that shall extend beyond the threaded inlet to break through any product crust, insuring proper product flow.

\*Flanged, or SW connections available  
\_\_\_\_\_ "Customer to specify

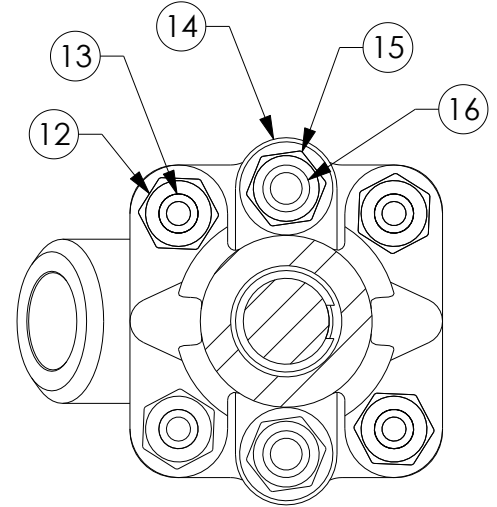
# METAL SEATED SAMPLE VALVES FOR HIGH TEMPERATURE SERVICE



KEY	DESCRIPTION	MATERIAL
1	BODY†	316 SST
2	PISTON†	316 SST
3	PACKING	GRAPHITE
4	GLAND	304 SST
5	BONNET	304 SST
6	STEM	416 SST
8	CRANK HANDLE	M. IRON
9	LOCK NUT	304 SST
10	BONNET BUSHING	BRONZE
11	BUSHING LOCK SCREW	304 SST
12	BONNET NUT	303 SST
13	BONNET STUD	304 SST
14	SPRING WASHER	17.7 PH
15	GLAND NUT	303 SST
16	GLAND STUD	304 SST

† - DENOTES RECOMMENDED SPARE PARTS.

‡ - DENOTES WETTED PARTS.



VALVE DECK DETAIL

VALVE SIZE	A CLOSED	A OPEN	C	D	E	G NPT	H NPT
SV-7HS	11-7/8"	14-3/8"	.531"	1-7/8"	3-1/32"	3/4"	1/2", 3/4"
SV-8HS	13-1/8"	16"	.688"	2-3/8"	3-5/8"	1"	3/4", 1"

The Strahman family of products include:

#### **SAMPLING VALVES**

Strahman has a full line of sampling valves that produce live samples without exception. Our sampling valves unique design prevent failure caused by sediment or clogging.

#### **DRAIN VALVES**

Strahman Drain Valves are designed to prevent clogging. They are ideal for use in liquid and gas service or with slurries, polymers, and high viscosity fluids that tend to solidify at room temperature.

#### **WASH DOWN EQUIPMENT**

Strahman offers a full line of mixing units, hose stations, hoses, nozzles and wash down accessories. Our wash down line is designed for industrial use and is used in a wide variety of industries including food, beverage, pharmaceutical, chemical and other applications.

#### **LINE BLINDS**

Strahman Line Blinds provide zero leakage down stream and total isolation on process pipelines, vessels, and maritime applications. No pipeline movement is required when blind position is changed.

Please contact your local Strahman representative for further details  
or  
visit our website : [www.strahmanvalves.com](http://www.strahmanvalves.com)



#### **Corporate Headquarters:**

Strahman Valves, Inc. 2801 Baglyos Circle, Bethlehem, PA 18020  
Tel: 484. 893.5080 • Fax: 484.893.5099

#### **Strahman France:**

Savoie Hexapole, F-73420, Mery, France  
Tel: + 33 4 79 35 78 00 • Fax: + 33 4 79 35 78 20

#### **Strahman German Office**

Kirchstrasse 16, D-77855, Achern, Germany  
Tel: +49 7841 6846530 • Fax: +49 7841 6846531



ISO 9001  
OM-SAI Global

*Last Updated: July 12, 2012*